

Barrel emptying cheap and easy!

Use our new, patent-pending
Separation Plates
to improve emptying of highly viscous
media with follower plate and barrel pump

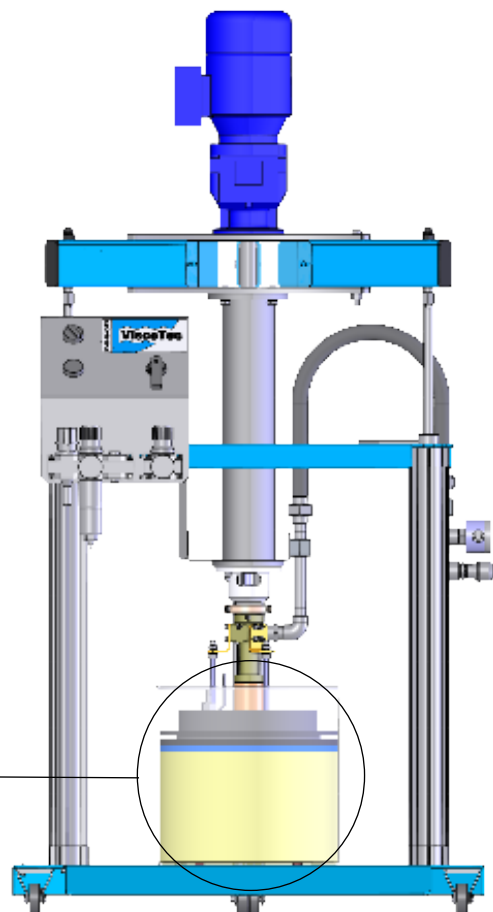
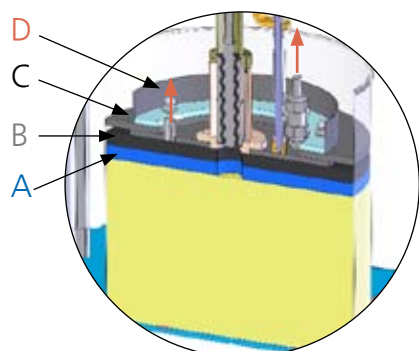
Advantages

- Better rest emptying
- Reducing or avoiding air
- Significantly reduced cleaning effort
- Pre-degasing by vacuum pump
- Product-saving barrel exchange
- No suck in of the inliners
- For all container sizes available

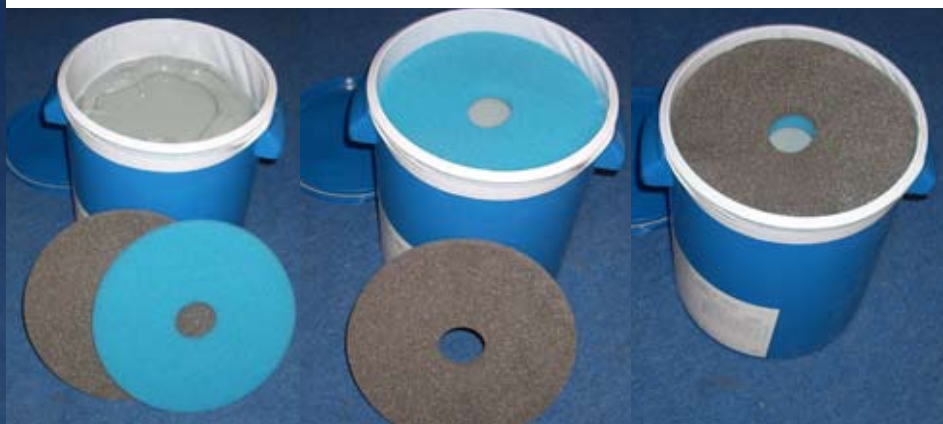


Function of Separation Plates:

- ▶ Lower, blue plate made of large-pored foam to absorb any irregularity in the product surface (A)
- ▶ Upper, gray plate made of very small-pored material, which stops media but releases air (B)
- ▶ No soiling of follower plate (C)
- ▶ Support by additional negative pressure created by vacuum pump (D)



The set includes:
10 plates, vacuum pump,
control and pressure switch.
Plate diameter: 285 mm
(other diameter on request)



ViscoTec
Pumpen- u. Dosiertechnik GmbH
Amperstraße 4
D-84513 Töging a. Inn
www.viscotec.de
www.dosiertechnik-blog.de

Tel. +49(0)8631/393-400
Fax: +49(0)8631/393-500
mail@viscotec.de